

Farmgrader 80

Universal grading unit

Universal grading unit to be used in combination with any Hatchery Packer, Farmpacker, egg conveyor belt, or as a stand alone system.

The STAALKAT Farmgrader 80 can be connected to any egg conveyor belt separating incoming egg flow in up to four different categories. When used in combination with a STAALKAT Hatchery Packer, or any other brand, it can separate the non-hatching sizes out of the incoming egg flow.

Stand alone unit made in a stainless steel washable construction.

Compact layout combined with detachable shelves. Easy to operate by means of a colour touchscreen. Data can be transferred to a USB device and imported in to MS Excel. In addition to being an ideal grader for hatcheries and breeder farms the STAALKAT Farmgrader 80 can also be used in any poultry farm where a preweight selection is required.



FEATURES:

- 28.000 eggs/hour (80 cases/hour)
- Number of exits: standard 3
- 4 different weight classes can be programmed at 1 exit
- Weight classes are programmable with touch screen
- Digital load cell scales
- Operation via colour touchscreen
- Control box can be placed on either sides
- Stainless steel washable construction

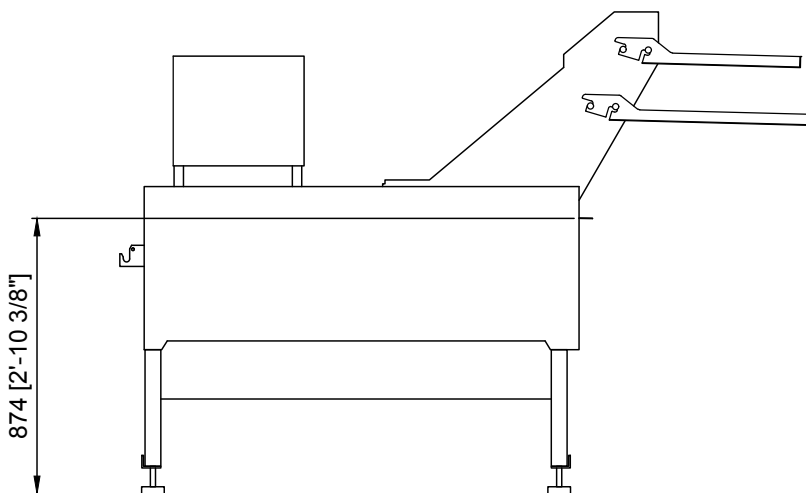
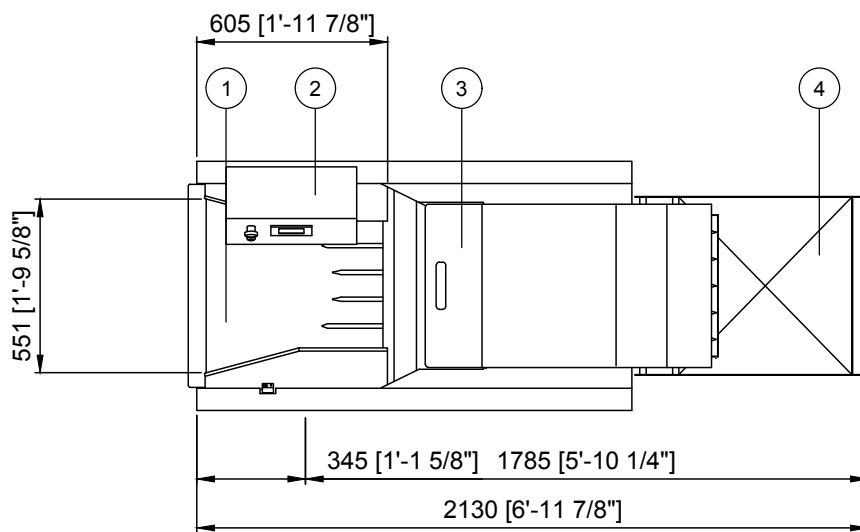
SAFETY AND SERVICE

All SANOVO products and systems are designed to meet the industry safety standards.

A comprehensive service organisation is always available to assist in the selection of the right maintenance programme or individual spare part.

TECHNICAL DATA

Max Capacity:	80 cases/hour (28.000 eggs/hour)
Data transfer:	With USB device. Data imported in Excel
Connection:	Air required
CE:	Approved
Power supply:	240V - 1 phase - 50 or 60 Hz



1	Accumulator
2	Control Panel
3	Egg Orientation/-Weighing
4	Egg Collection Table



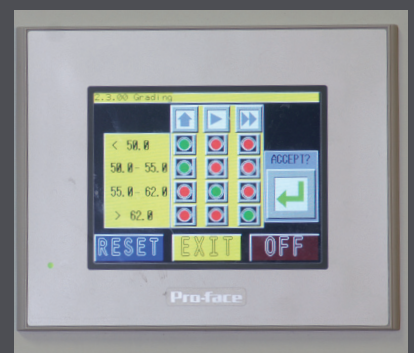
USB for collection of data



3 different outlets



Collection of off-grades



Colour touch screen