

Traystacker SX20

Stack Your Trays with One Finger

The SANOVO Traystacker SX20 is a product developed to enhance farms with small/ medium-sized packing operations. We know there is limited space on farms, so the SX20 is a space-efficient solution that stacks your egg trays. Through the ergonomic design, it also supports farm operators and improves their working environment. The additional automation in the packing process eliminates the manual stacking of full trays, and lets the operator focus on the incoming egg flow from hen houses. All that at an affordable price.

The SX20 can be installed on the Farmpacker 40, 70, and 24000. It can handle many common plastic trays; (SANOVO recommends the EggsCargosystem® sold by GI-OVO).

- Space efficient - Compact footprint, optimized stacking, ergonomic design - ensures maximum operator efficiency
- Economical - Cost-efficient choice for farms with 16.000 - 30.000+ layers
- Quality assurance - Automated stacking lets you focus on incoming egg flow



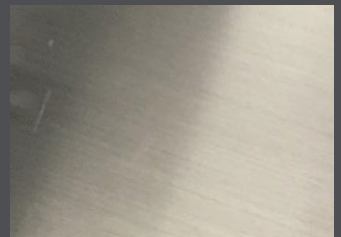
ADD VALUE AND AUTOMATION
TO YOUR FARM WITH THE SX20



Ergonomic stacking



Adaptable to many plastic trays
(ECS® recommended)



Stainless steel frame

SAFETY AND SERVICE

All SANOVO products and systems are designed to meet the industry safety standards.

A comprehensive service organisation is always available to assist in the selection of the right maintenance programme or individual spare part.

TECHNICAL DATA**TRAYSTACKER SX20**

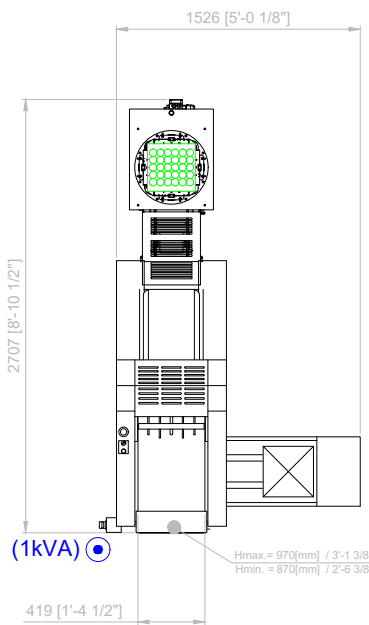
Capacity: 25.000 eggs/hour (70 cases/hour)

Power Supply: Single Phase 230VAC, 0,7kVA

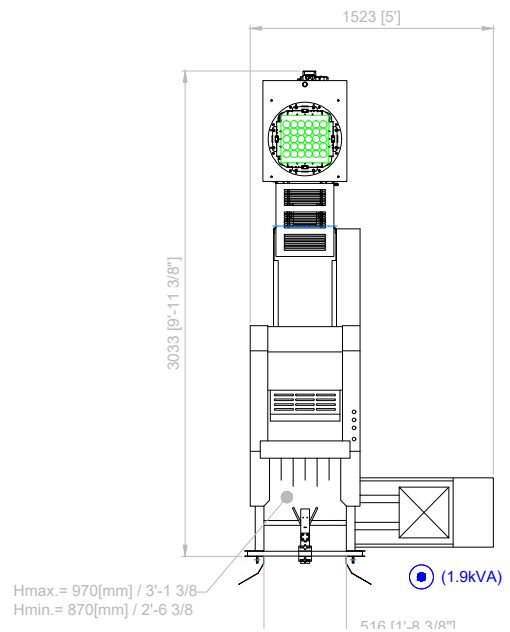
Dimensions: Length 1160 mm Width 526 mm

Footprint: 0,6 m2

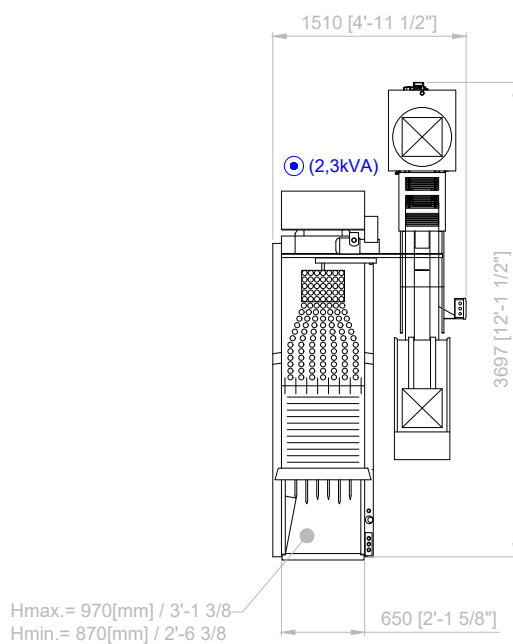
Farmpacker 40



Farmpacker 70



Farmpacker 24000



*Other layouts are available on demand